

# ACOUSTICAL SYSTEMS

# Quiet COORDINATES™

**QUIET COORDINATES** is a new and unique family of acoustical products from CMA. This new approach answers the needs for a moderate priced, modular sized, easy to install system designed especially for applications in education and recreational environments.

**QUIET COORDINATES** utilizes a unique DUAL DENSITY Panel which greatly improves the resiliency to impact as well as the acoustical performance. Coupled with a PVC Extrusion System, which can be completely recycled, it consists of only three different shapes. The extrusions encapsulate the panel, and allow the same components to be used as a Wall Panel, Baffle, or Cloud.

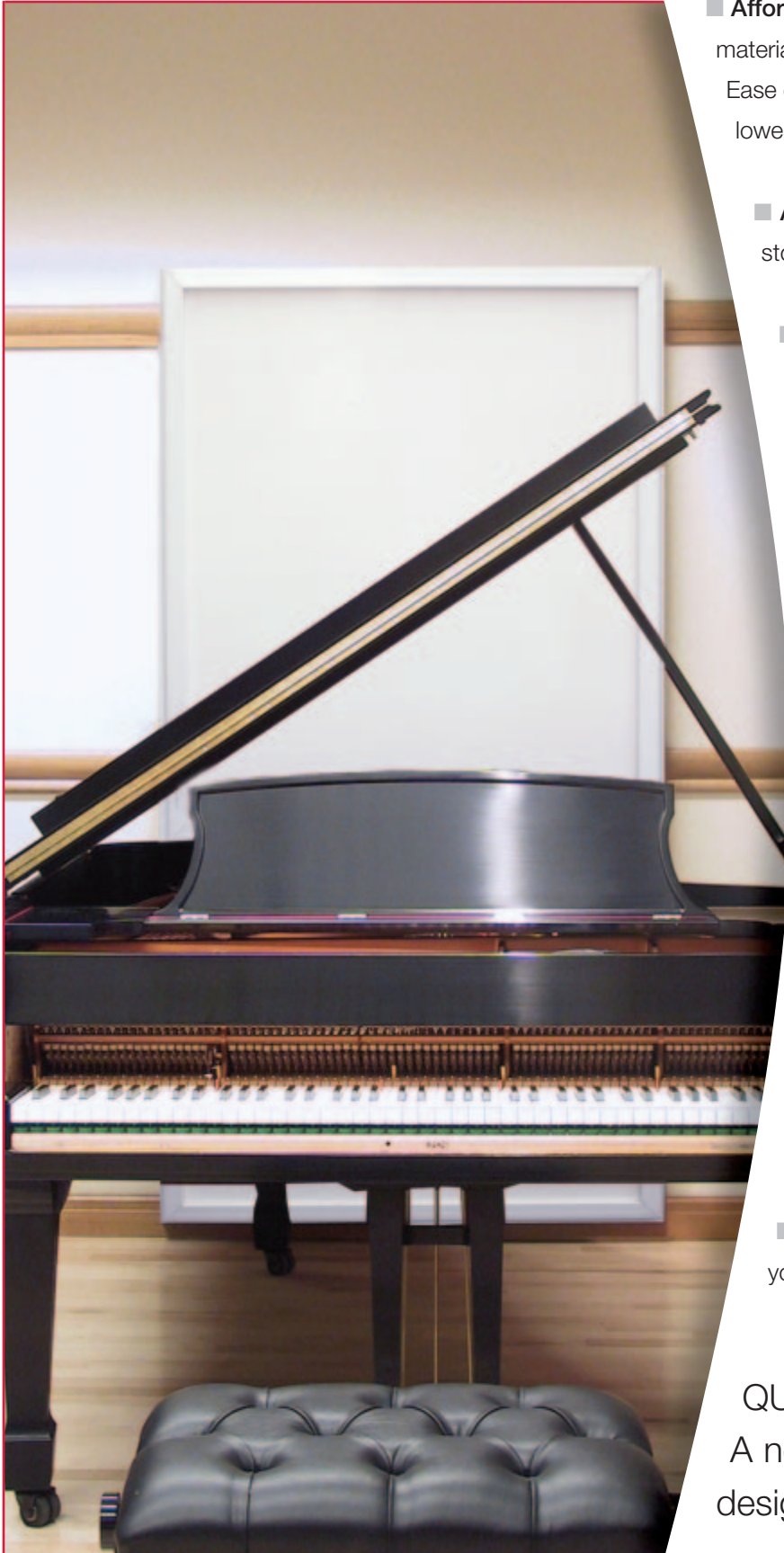


It comes in a number of standard sizes designed for quick shipment within 24 hours of order placement. Best of all besides superior performance, it is easily installed and relocatable when conditions of the project change.

# CMA

205 Earl Road  
Shorewood, IL 60434  
Website: [www.cmainc.net](http://www.cmainc.net)





## QUIET COORDINATES\* is:

■ **Affordability** - The low cost leader for finished materials with the highest acoustical values. Ease of installation make Quiet Coordinates the lowest cost installed materials anywhere.

■ **Availability** - Standard modular sizes are stocked for shipment within 24 hours.

■ **Durability** - Designed to take the ordinary abuse in a recreational environment and it looks good as well.

■ **Flexibility** - For multiple applications such as wall panels and baffles using the same components. The system can be moved to fit changing needs

■ **Maintenance** - The fiber glass face is abuse resistant, can be cleaned with normal cleaning methods: and it can be painted along with the extrusions to any color without effecting the acoustics.

■ **Performance** - The primary function of Quiet Coordinates is to offer acoustical solutions to large spaces - gyms, swimming pools, cafeteriums... space that has multiple functions but needs acoustical control.

■ **Installation** - If you can hang a picture, you can install Quiet Coordinates.

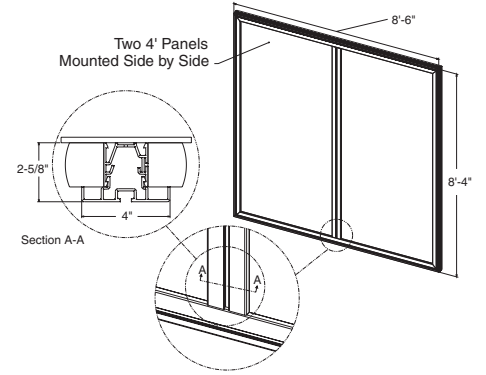
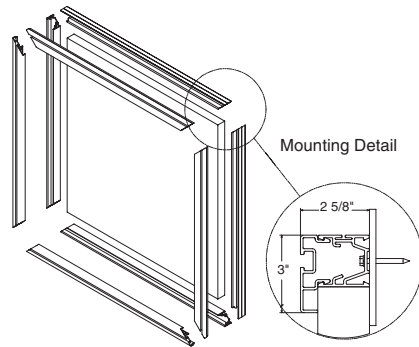
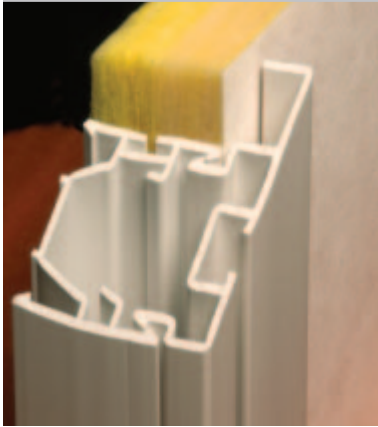
QUIET COORDINATES...  
A new acoustical system  
designed for today & tomorrow.

# THREE SYSTEMS IN ONE:

# CMA ACOUSTICAL SYSTEMS

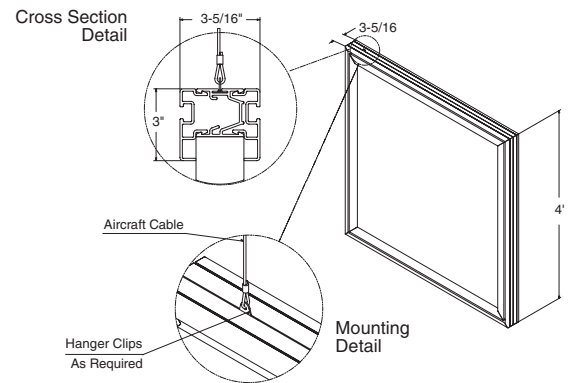
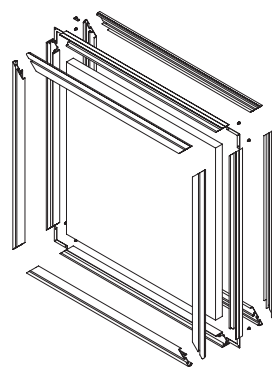
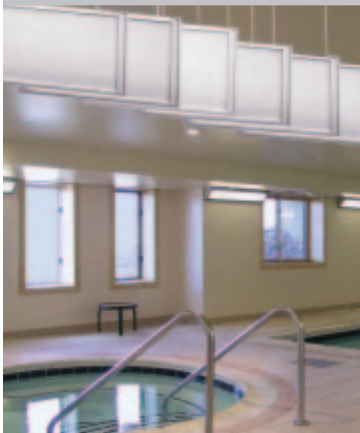
## WALL PANELS

Standard Sizes Available: 4' x 4', 5' x 5' Square & Triangular; and 4' x 8'



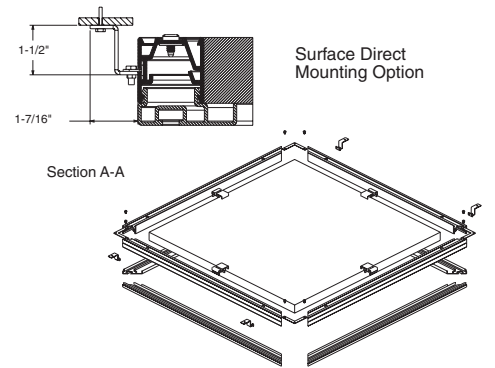
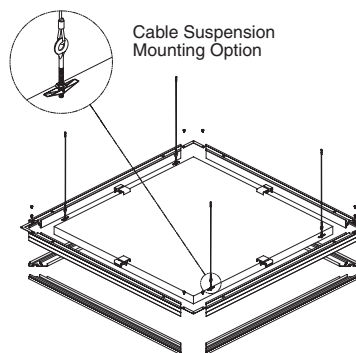
## BAFFLES

Standard Sizes Available: 2' x 4', 2' x 5', 2' x 8', 4' x 4', 4' x 8', and 5' x 5'



## CLOUDS

Standard Sizes Available: 4' x 4', 5' x 5' and 4' x 8'





System	Standard Thickness	Standard Density	Standard Width	Standard Length	Standard Facing	Acoustical Range
Wall Panels	2"	1" x 1.8# 1" x 3.0# Dual Dens.	48", 60"	4', 5', 8'	Glass Mat	.90-1.0
Baffles	2"	1" x 1.8# 1" x 3.0#	24", 48", 60"	4', 5', 8'	Mat -2 sides	1.15
Clouds	1", 2"	1" x 1.8# 1" x 3.0#	48", 60"	4', 5'	Glass Mat	.95-1.05
Impact Ceilings	1", 1-1/2", 2"	3#	24", 48", 60"	4', 5'	Glass Mat	.85-1.05

## Selected Acoustical Tests

Acoustical Material	Description	Mounting	Active Band Center Frequency, Hz							NRC	Test #
			125	250	500	1000	2000	4000			
Wall Panels	2" Glass Mat	A	0.32	0.64	1.06	1.08	1.03	0.98	0.95	RAL AQ4-002	
Baffles	2" Glass Mat	E795-00-J Parallel Rows	2.21	6.80	12.37	15.53	14.58	14.68	12.35	JM Tech Ctr A2003-075-1	
Clouds & Ceilings	1" Glass Cloth	E-400	0.70	0.87	0.64	0.90	0.95	0.92	0.85	RAL A80-158	
	1-1/2" Glass Cloth	E-400	0.75	0.96	0.82	1.01	1.00	0.88	0.95	RAL A79-146	

*All Baffle Tests expressed in sabins per 2 x 4 baffle*  
*All Wall Panel and Ceiling Tests expressed in sabins per square foot*  
*Fire Hazard Classification*  
*Flame Spread 25 Smoke Developed 50 in accord with ASTM E-84 & UL-723, CAN/ULC S1102-M88*

Samples, budget pricing, and specific applications are available upon request. CMA has Sales Representatives in every major North American market.

*The problem is NOISE - The solution is QUIET COORDINATES.*



205 Earl Road  
Shorewood, IL 60434  
email: [cmainc@cmainc.net](mailto:cmainc@cmainc.net)  
Website: [www.cmainc.net](http://www.cmainc.net)

Toll Free: 866.730.9750  
Tel: 815.730.9750  
Fax: 815.730.9752