

DROP POINT

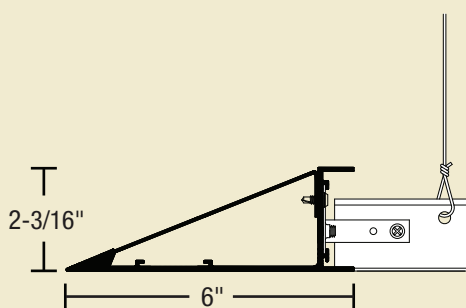
CONTURA



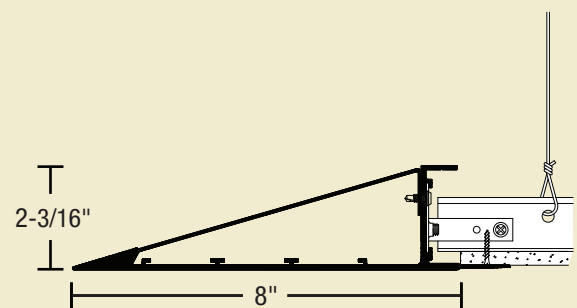
- DROP POINT adds dimension, mass and attention to detail when viewed from any angle. Unique designs are encouraged
- Combine with 2" CONTURA for use along the straight edges of wave ceilings.
- Extruded Aluminum profiles provide a strong, crisp appearance
- Available in colors to coordinate with any suspension system
- Factory welded corners with 12" legs
- Fully integrated with acoustical and drywall ceiling systems
- Green by Design
 - 8 LEED®¹ Credits Possible
 - EQ 3.1 / 3.2 / 4.2
 - MR 4.1 / 4.2 / 5.1 / 5.2
 - ID 1.1
 - 66% Recycled Aluminum
 - 33% Pre-Consumer Content
 - 33% Post Consumer Content
 - No Phosphate / Biodegradable Pre-treatment
 - No Hazardous Waste
 - No VOC's
 - No Heavy Metals



6" ACOUSTICAL DROP POINT



8" DRYWALL DROP POINT



DROP POINT

PRODUCT INFORMATION



SPECIFICATION

Section: 09 53 00

MATERIALS

Aluminum Extrusion: 6063 per ASTM B 221 and ASTM B 221 Metric
 TC-2 Hanging & T-Bar Connector Clip
 CONTURA Splice Plate with Set Screws

FABRICATION

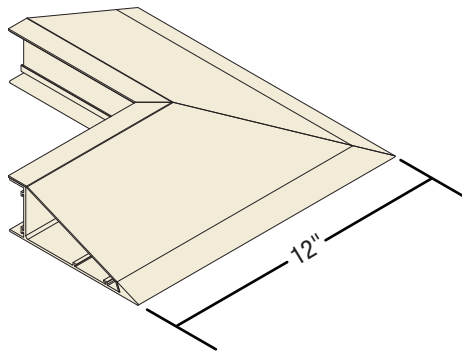
6" and 8" widths x 2" high x 12' length. Custom lengths and widths are available.
 10' standard taping fin length.
 Welded end caps and welded corners

FINISH

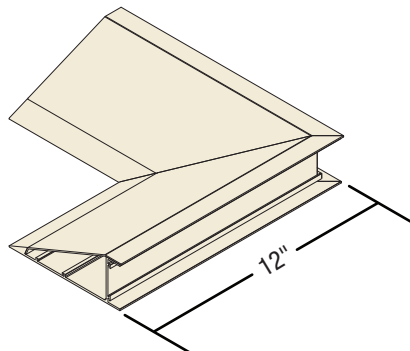
- | | | | |
|--|-------------|------------------------------|------------------------------|
| <input type="checkbox"/> Acrylic "Wet" Paint | Color _____ | | |
| <input type="checkbox"/> Standard Powder Coat | Color _____ | | |
| <input type="checkbox"/> ACROGUARD™ | | | |
| High Performance Powder Coat | Color _____ | | |
| <input type="checkbox"/> REVELATION™ Wood and Stone Finishes | Color _____ | <input type="checkbox"/> 50% | <input type="checkbox"/> 70% |
| <input type="checkbox"/> Kynar® 2 | Color _____ | <input type="checkbox"/> 50% | <input type="checkbox"/> 70% |
| <input type="checkbox"/> Other _____ | Color _____ | | |

DETAILS

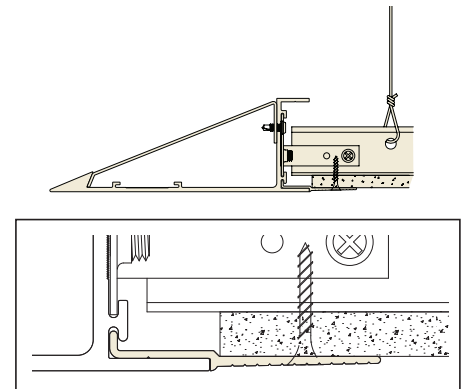
drawings based on 6" profile



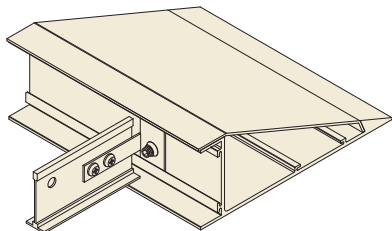
Out Side Corner Drop Point



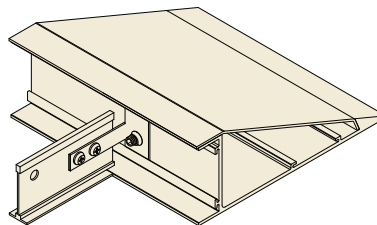
Inside Corner Drop Point



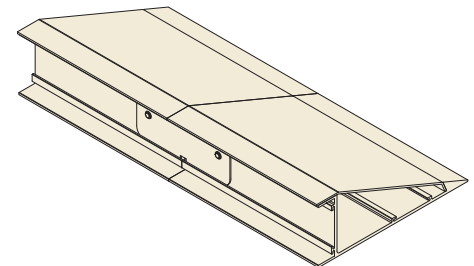
Drywall Taping Fin



TC-2 Clip Override Tee



TC-2 Clip Flush Cut Tee



Splice

5023 HAZEL JONES ROAD, BOSSIER CITY, LA 71111

1 LEED® is a registered trademark of U.S. Green Building Council 2 Kynar® is a registered trademark of ARKEMA, Inc.



PCDSD 03.08